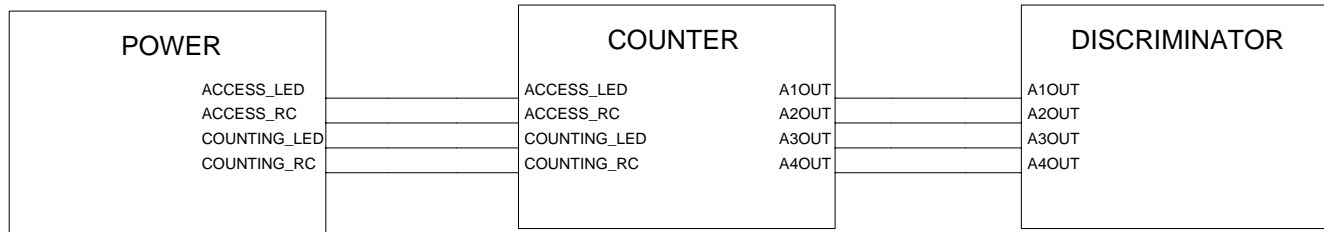


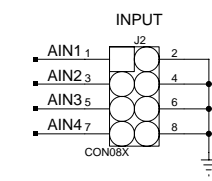
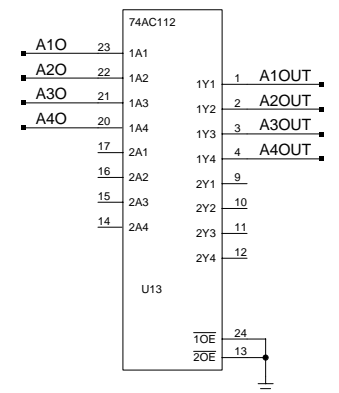
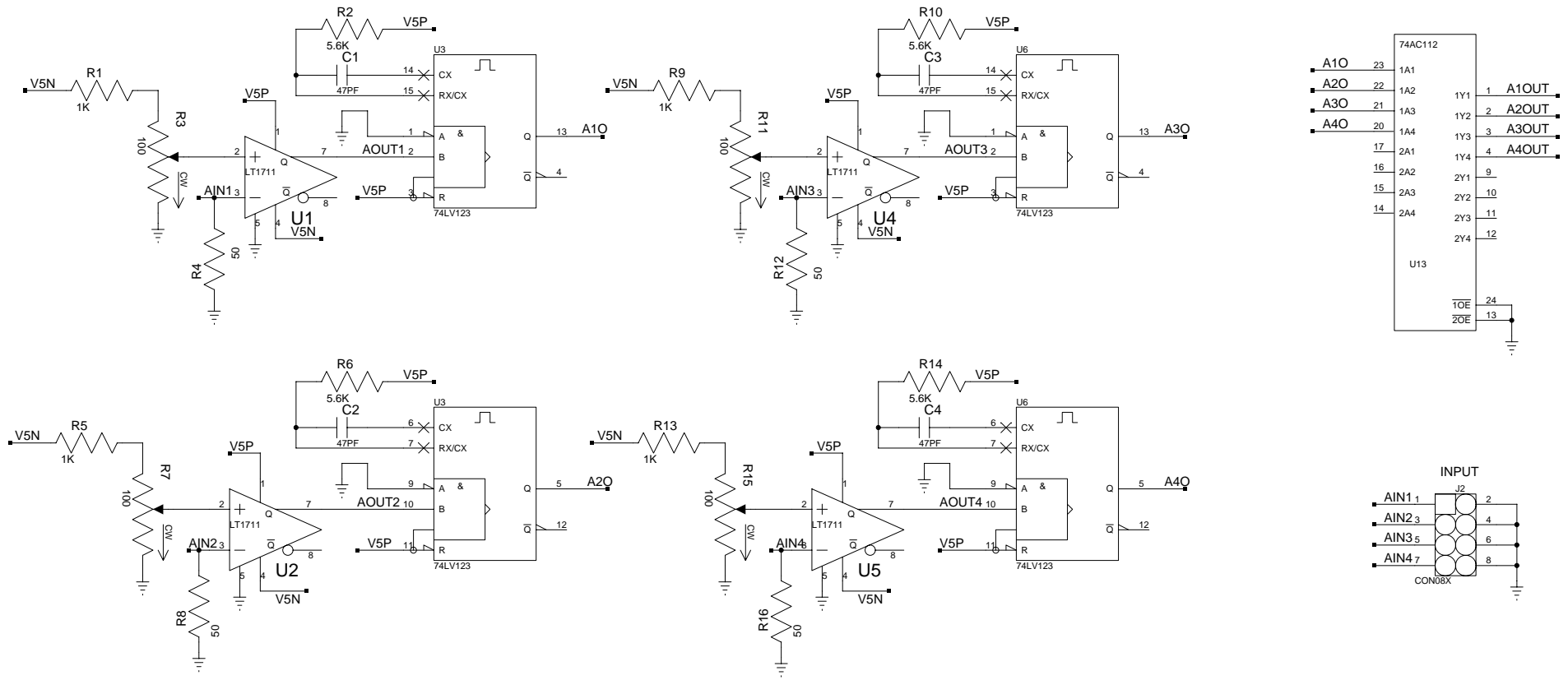
D776H
LST-FE READOUT
BABAR IFR UPGRADE

D776H_BLOCK

ELECTRONICS LAB
PHYSICS DEPARTMENT
THE OHIO STATE UNIVERSITY
174 WEST 18TH AVE
COLUMBUS OHIO 43210



THE OHIO STATE UNIVERSITY PHYSICS DEPARTMENT ELECTRONICS LAB 174 WEST 18TH AVE, COLUMBUS OH 43210			
TITLE LST ANODE DISCRIMINATOR			
PARENT PAGE		PROJECT D776H	
BY RTK	DATE 10-2-2003_13:53	FILE D776H_BLOCK.	PAGE 1



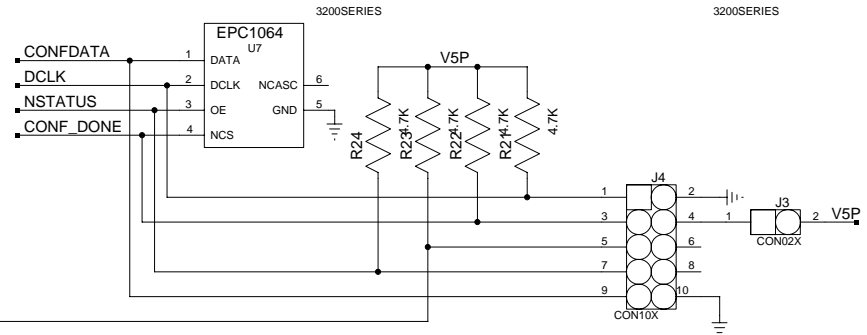
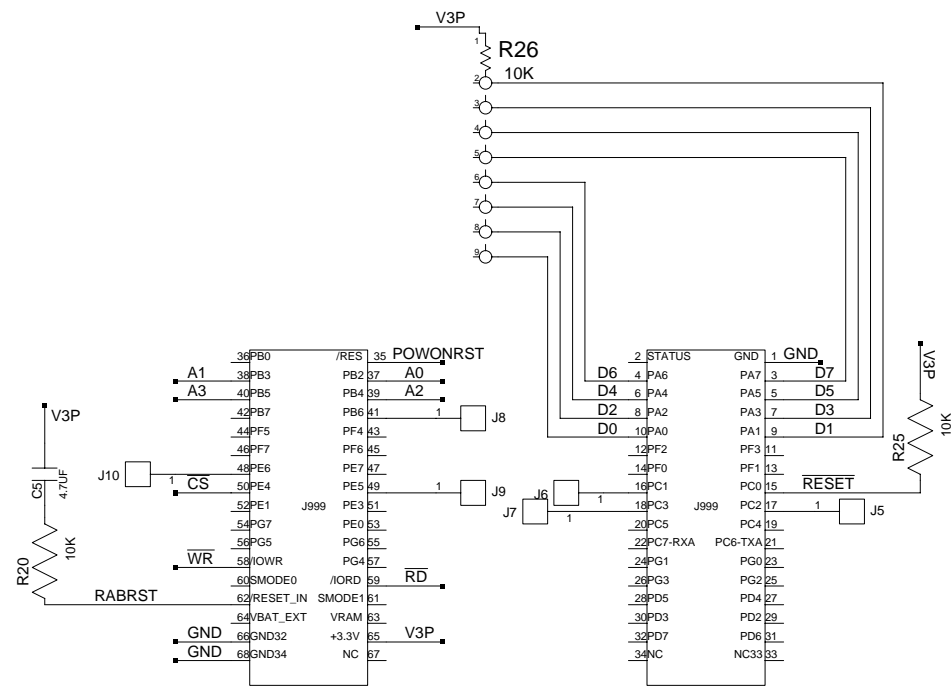
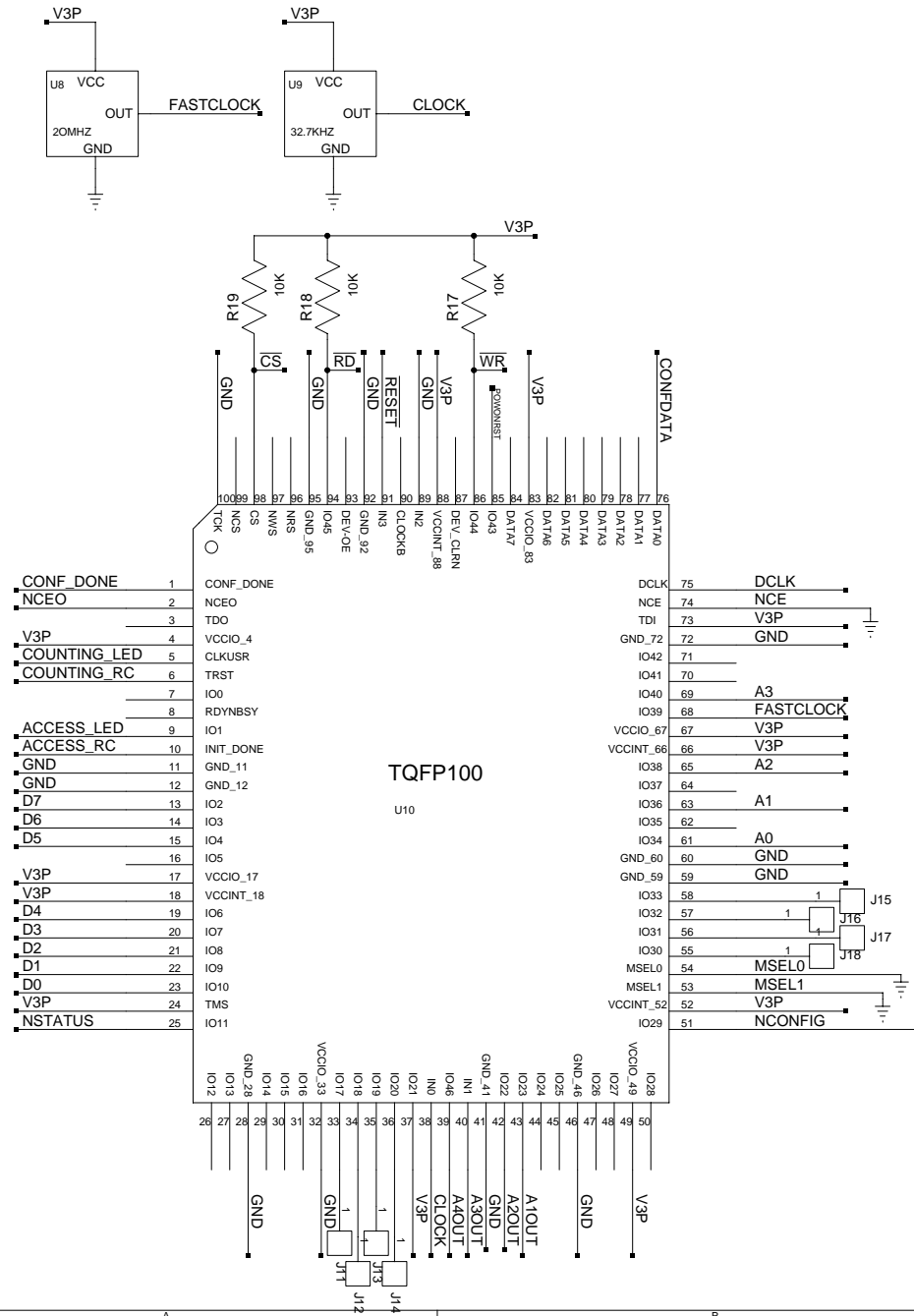
THE OHIO STATE UNIVERSITY
 PHYSICS DEPARTMENT ELECTRONICS LAB
 174 WEST 18TH AVE, COLUMBUS OH 43210

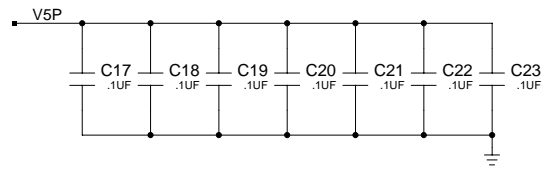
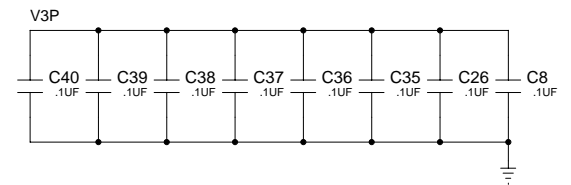
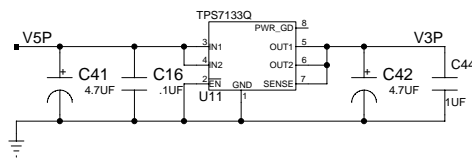
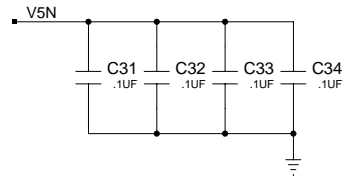
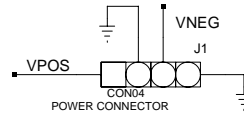
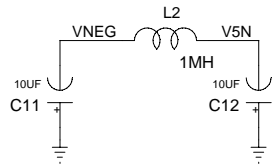
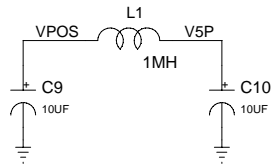
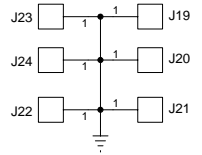
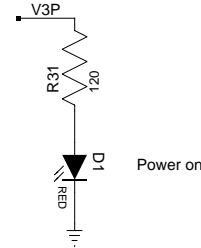
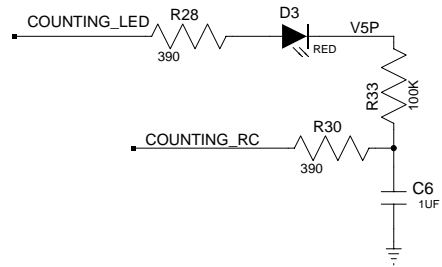
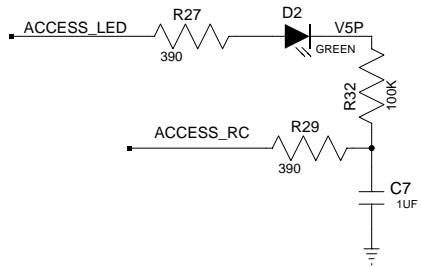
TITLE

LST ANODE DISCRIMINATOR

PARENT PAGE PROJECT D776H

BY RTK DATE 10-2-2003_13:08 FILE DISCRIMINATOR PAGE 1





THE OHIO STATE UNIVERSITY PHYSICS DEPARTMENT ELECTRONICS LAB 174 WEST 18TH AVE, COLUMBUS OH 43210			
TITLE LST ANODE DISCRIMINATOR			
PARENT PAGE		PROJECT D776H	
BY RTK	DATE 10-6-2003_13:49	FILE POWER.	PAGE 1