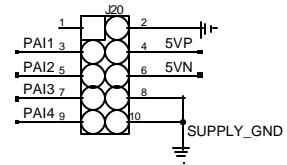
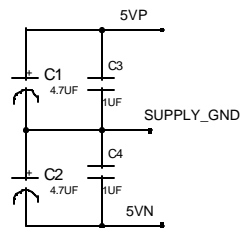
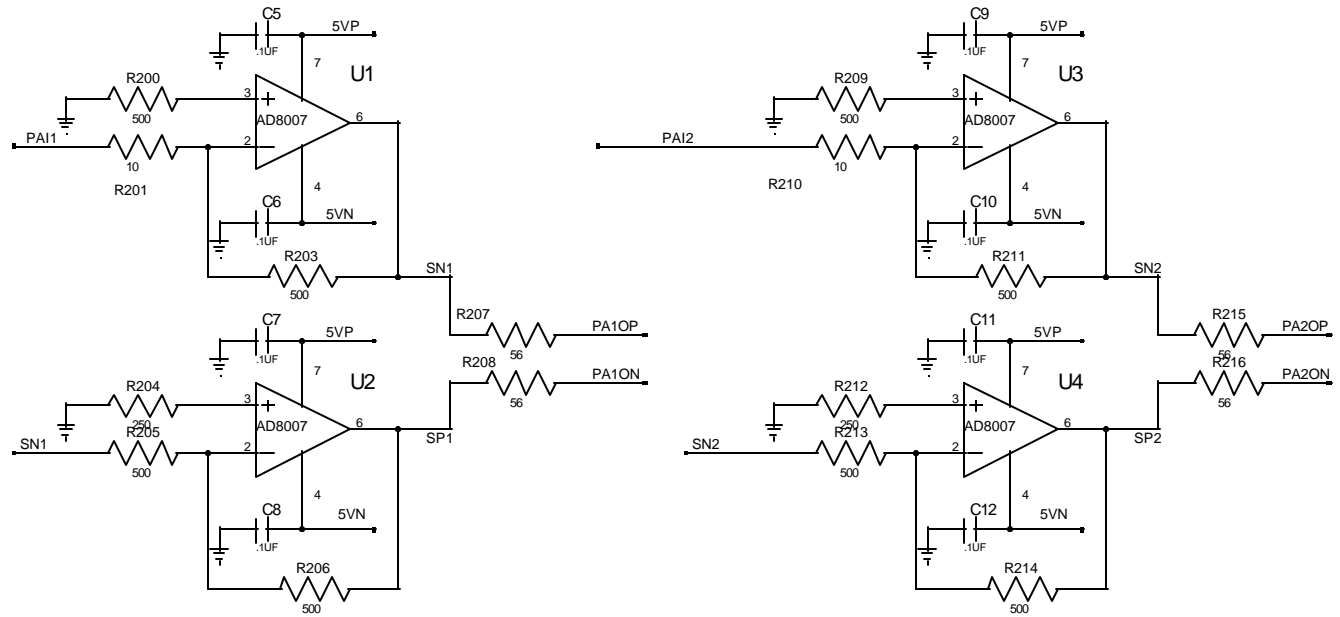
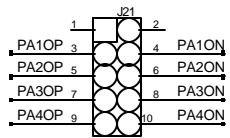


**INPUT**



**OUTPUT**



Original design produced by and copied from Servizio Elettronico INFN.

THE OHIO STATE UNIVERSITY PHYSICS DEPARTMENT ELECTRONICS LAB 174 WEST 18TH AVE, COLUMBUS OH 43210			
TITLE DIFFERENTIAL DRIVER FOUR CHANNEL			
PARENT PAGE	PROJECT		D776F
BY RTK	DATE 8-5-2003_11:48	FILE	DIFDRV PAGE 1